

TYPE: MPEX : X-2 Across the line / Box, Safety approvals,

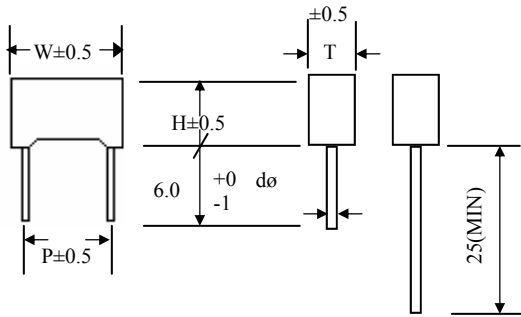
MPEX: Are constructed with metalized polyester film dielectric, copper ply lead, encapsulated in plastic case with epoxy resin sealed. They provide interference suppression with safety approvals of UL file No. E 127320. They are ideal for using line bypass, antenna coupling, across the line and spark killer circuits and available for EMI filter and switching power supply application®

Features:

- Non-inductive construction
- Self healing property
- Flame retardant plastic case and epoxy resin (compliance with UL 94V-01)
- High moisture resistance
- Good solderability

Specification:

1. Operating temperature: -40 °C ~ +85°C
2. Capacitance range: 0.01μ F ~ 0.47μ F
3. Capacitance tolerance: ±5%(J), ±10%(K), ±20%(M)
4. Rated voltage: 250VAC, 50 ~ 60Hz
5. Dissipation factor: 1.0% Max at 1KHz, 25°C
6. Insulation resistance: (C ≤ 0.33 μ F) , I.R. ≥ 15,000 MΩ
(C ≥ 0.33 μ F) I.R. ≥ 15,000 MΩ · μ F
7. Dielectric strength test: 1075VDC/1 min or 2000VDC/1 sec.



File No. L93307



File No. 181698-01



File No. E127320



File No. L93307



File No. LR91290-1



File No. 17652-4670-1001



File No. 9513040

Unit: mm

| CAPACITANCE | | 250/275 VAC | | | | | CAPACITANCE | | 250/275VAC | | | | |
|-------------|---------|-------------|------|-----|------|-----|-------------|---------|------------|------|------|------|-----|
| Part No. | Cap(μF) | W | H | T | P | dø | Part No. | Cap(μF) | W | H | T | P | dø |
| MPEX102 | 0.001 | 13.0 | 11.0 | 5.0 | 10.0 | 0.6 | MPEX223 | 0.022 | 13.0 | 12.0 | 6.0 | 10.0 | 0.6 |
| MPEX122 | 0.0012 | 13.0 | 11.0 | 5.0 | 10.0 | 0.6 | MPEX273 | 0.027 | 13.0 | 12.0 | 6.0 | 10.0 | 0.6 |
| MPEX152 | 0.0015 | 13.0 | 11.0 | 5.0 | 10.0 | 0.6 | MPEX333 | 0.033 | 18.0 | 11.0 | 5.0 | 15.0 | 0.8 |
| MPEX182 | 0.0018 | 13.0 | 11.0 | 5.0 | 10.0 | 0.6 | MPEX393 | 0.039 | 18.0 | 11.0 | 5.0 | 15.0 | 0.8 |
| MPEX222 | 0.0022 | 13.0 | 11.0 | 5.0 | 10.0 | 0.6 | MPEX473 | 0.047 | 18.0 | 11.0 | 5.0 | 15.0 | 0.8 |
| MPEX272 | 0.0027 | 13.0 | 11.0 | 5.0 | 10.0 | 0.6 | MPEX683 | 0.068 | 18.0 | 13.5 | 7.5 | 15.0 | 0.8 |
| MPEX332 | 0.0033 | 13.0 | 11.0 | 5.0 | 10.0 | 0.6 | MPEX104 | 0.1 | 18.0 | 13.5 | 7.5 | 15.0 | 0.8 |
| MPEX392 | 0.0039 | 13.0 | 11.0 | 5.0 | 10.0 | 0.6 | MPEX124 | 0.12 | 26.5 | 15.0 | 6.0 | 22.5 | 0.8 |
| MPEX472 | 0.0047 | 13.0 | 11.0 | 5.0 | 10.0 | 0.6 | MPEX154 | 0.15 | 26.5 | 16.5 | 7.0 | 22.5 | 0.8 |
| MPEX562 | 0.0056 | 13.0 | 11.0 | 5.0 | 10.0 | 0.6 | MPEX184 | 0.18 | 26.5 | 16.5 | 7.0 | 22.5 | 0.8 |
| MPEX682 | 0.0068 | 13.0 | 11.0 | 5.0 | 10.0 | 0.6 | MPEX224 | 0.22 | 26.5 | 16.5 | 7.0 | 22.5 | 0.8 |
| MPEX822 | 0.0082 | 13.0 | 11.0 | 5.0 | 10.0 | 0.6 | MPEX274 | 0.27 | 26.5 | 17.0 | 8.5 | 22.5 | 0.8 |
| MPEX103 | 0.01 | 13.0 | 11.0 | 5.0 | 10.0 | 0.6 | MPEX334 | 0.33 | 32.0 | 20.0 | 11.0 | 27.5 | 0.8 |
| MPEX123 | 0.012 | 13.0 | 11.0 | 5.0 | 10.0 | 0.6 | MPEX394 | 0.39 | 32.0 | 20.0 | 11.0 | 27.5 | 0.8 |
| MPEX153 | 0.015 | 13.0 | 11.0 | 5.0 | 10.0 | 0.6 | MPEX474 | 0.47 | 32.0 | 20.0 | 11.0 | 27.5 | 0.8 |