

**TYPE: PPHR Radial, Dipped, Hi volt, Non-inductive**

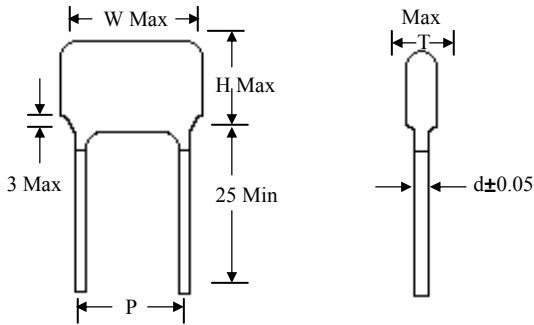
**PEMR:** Are non-inductively wound with polypropylene dielectric, in series with aluminum foil for electrodes using copper clad steel leads and epoxy resin coating. They are ideal for high frequency and high pulse rise time circuits and find wide application in snubbers, switcher and high voltage power supplies and electronic lighting ballasts.

**Features:**

- High corona starting voltage
- Non-inductive construction
- High current rating and high dv/dt
- Series electrode construction
- Self healing properties

**Specification:**

1. Operating temperature: -40 °C ~ +85°C
2. Capacitance range: 0.001μ F ~ 0.033μ F
3. Capacitance tolerance: ±5%(J), ±10%(K)
4. Rated voltage: 1000VDC,1600VDC,2000VDC
5. Dissipation factor: 0.1% Max
6. Insulation resistance: 200,000 MΩ xμF, 400,000 MΩ min



Pluse Capability		
Rated Volts	Body Length	
		.984
	dV/dt - Volts per microsecond, maximum	
1000	8400	6400
1600	16000	12000
2000	16800	12800

RV Size Cap (μF)	1000 VDC				1600 VDC				2000 VDC			
	W	H	T	P±1.5	W	H	T	P±1.5	W	H	T	P±1.5
0.0010	25.0	13.0	8.0	21.0	25.0	13.0	9.0	21.0	25.0	15.0	10.0	21.0
0.0012	25.0	13.0	8.0	21.0	25.0	13.0	9.0	21.0	25.0	15.0	10.0	21.0
0.0015	25.0	13.0	8.0	21.0	25.0	14.0	9.0	21.0	25.0	15.0	10.0	21.0
0.0018	25.0	13.0	8.0	21.0	25.0	14.0	9.0	21.0	25.0	16.0	11.0	21.0
0.0022	25.0	14.0	8.5	21.0	25.0	15.0	9.0	21.0	25.0	17.0	12.0	21.0
0.0027	25.0	14.0	8.5	21.0	25.0	16.0	9.5	21.0	25.0	18.0	13.0	21.0
0.0033	25.0	15.0	9.0	21.0	25.0	17.0	10.0	21.0	25.0	20.0	14.0	21.0
0.0039	25.0	15.0	9.0	21.0	25.0	18.0	11.0	21.0	25.0	22.0	15.0	21.0
0.0047	25.0	16.0	9.5	21.0	25.0	19.0	12.0	21.0	32.0	22.0	14.0	26.5
0.0056	25.0	17.0	10.5	21.0	32.0	21.0	12.0	26.5	32.0	23.0	15.0	26.5
0.0068	25.0	18.0	11.5	21.0	32.0	21.0	12.0	26.5	32.0	24.0	16.0	26.5
0.0082	25.0	19.0	12.5	21.0	32.0	22.0	13.0	26.5	32.0	25.0	17.0	26.5
0.010	25.0	20.0	13.0	21.0	32.0	23.0	15.0	26.5	32.0	26.0	18.0	26.5
0.012	25.0	22.0	13.0	21.0	32.0	24.0	16.0	26.5	33.0	28.5	20.0	28.0
0.015	25.0	23.0	13.0	21.0	32.0	26.0	18.0	26.5	33.0	31.0	21.0	28.0
0.018	32.0	24.5	14.0	26.5	33.0	28.0	20.0	28.0				
0.022	32.0	26.5	15.5	26.5	33.0	30.0	20.0	28.0				
0.027	32.0	27.5	17.0	28.0								
0.033	32.0	30.0	19.0	28.0								

Three section construction capacitors are available upon request.