

ALUMINUM ELECTROLYTIC CAPACITORS

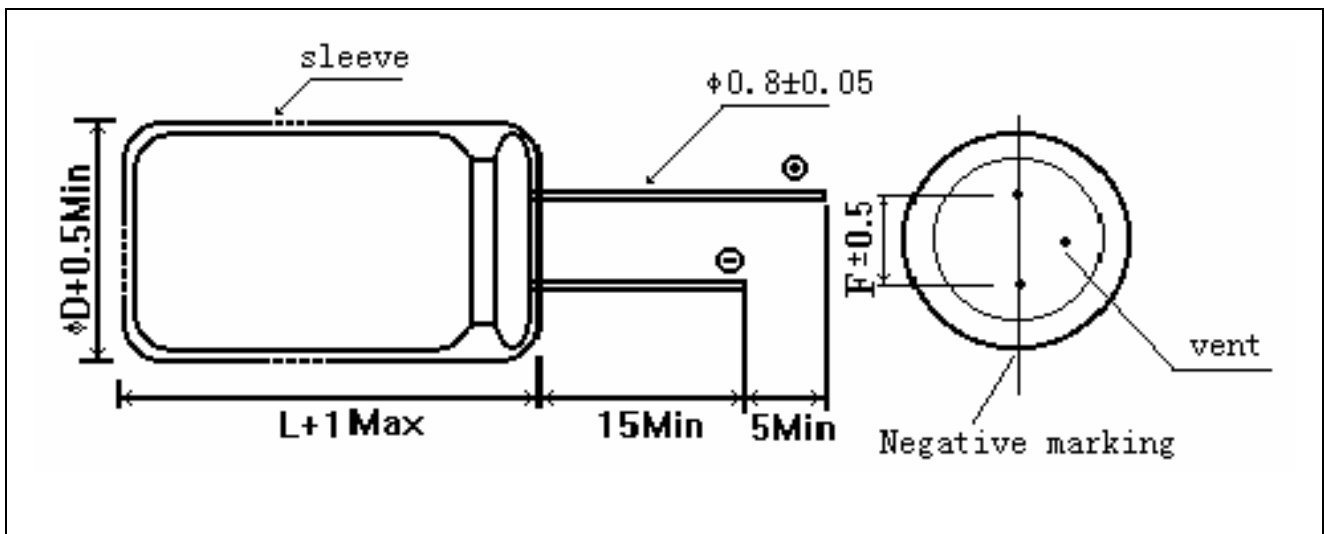
- High stability
- Small capacitance change
- Low dissipation factor , Low leakage current

SPECIFICATIONS

Item	Characteristics
Operating Temperature Range	-20~+55
Rated Voltage	330WV.DC
Voltage Proof	350SV.DC
Capacitance Tolerance(20°C,120Hz)	-10%~+20%
Dissipation Factor(20°C,120Hz)	0.06MAX
Leakage Current	I=1xC(20°C,5minutes) I:Leakage Current(uA) C:Rated Capacitance(uF)

DIMENSIONS

mm



STANDARD SIZE

Capacitance	D(mm)	12.5	13.0	13.5	14.0	14.5	16.0	18.0	20.0
Uf	F	5.0	5.0	5.0	5.0	7.5	7.5	7.5	7.5
80	L(mm)	26.5	24.5	23.0					
100		30.5	28.0	26.5	25.0				
120		35.0	31.5	29.5	28.0	26.5			
140		39.5	35.5	33.0	31.0	29.0	26.0		
160		44.0	39.5	36.5	34.0	32.0	28.5	25.0	
180		48.0	43.5	40.5	37.5	35.0	30.0	27.0	
200			47.5	44.0	40.5	38.0	32.5	29.0	26.0
220			52.0	47.0	44.0	41.0	35.0	30.5	28.0
250					48.5	45.0	38.5	33.5	30.0
300							44.5	39.0	34.0