

- Load life of 2000 hours at 85°C
- High and stable quality
- Small size and low cost
- For general consumer electronic products application

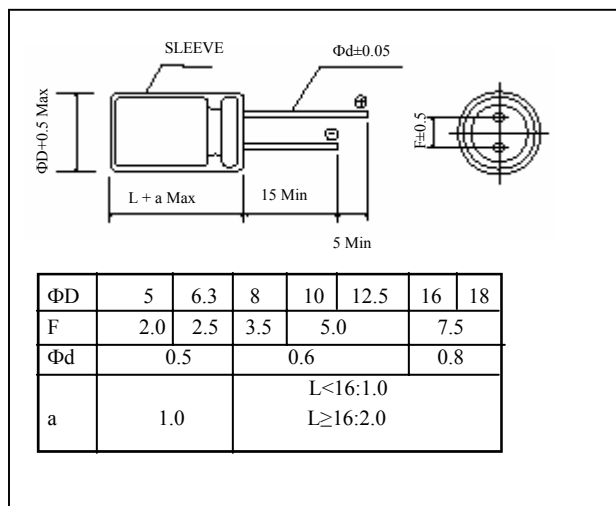


■ SPECIFICATIONS

Item	Characteristics																																											
Operating Temperature Range (°C)	-40~+85																																											
Capacitance Tolerance (25°C, 120Hz)	± 20%																																											
Leakage Current (μA)	<table border="1"> <tr> <th>Rated Volts (V)</th> <th>63~100</th> <th>160~450</th> </tr> <tr> <td></td> <td colspan="2">0.01CV or 3 whichever is greater, at (25°C, after 2 minutes)</td> </tr> <tr> <td></td> <td colspan="2">0.06CV + 10 at (at 25°C, after 2 minutes)</td> </tr> </table>	Rated Volts (V)	63~100	160~450		0.01CV or 3 whichever is greater, at (25°C, after 2 minutes)			0.06CV + 10 at (at 25°C, after 2 minutes)																																			
	Rated Volts (V)	63~100	160~450																																									
	0.01CV or 3 whichever is greater, at (25°C, after 2 minutes)																																											
	0.06CV + 10 at (at 25°C, after 2 minutes)																																											
Dissipation Factor (25°C, 120Hz)	<table border="1"> <tr> <th>Rated Voltage (V)</th> <th>6.3</th> <th>10</th> <th>16</th> <th>25</th> <th>35</th> <th>50</th> <th>63</th> <th>100</th> <th>160</th> <th>200</th> <th>250</th> <th>350</th> <th>400</th> <th>450</th> </tr> <tr> <th>tanδ</th> <td>0.22</td> <td>0.19</td> <td>0.16</td> <td>0.14</td> <td>0.12</td> <td>0.10</td> <td>0.09</td> <td>0.08</td> <td>0.12</td> <td>0.12</td> <td>0.15</td> <td>0.15</td> <td>0.20</td> <td>0.23</td> </tr> </table>	Rated Voltage (V)	6.3	10	16	25	35	50	63	100	160	200	250	350	400	450	tanδ	0.22	0.19	0.16	0.14	0.12	0.10	0.09	0.08	0.12	0.12	0.15	0.15	0.20	0.23													
	Rated Voltage (V)	6.3	10	16	25	35	50	63	100	160	200	250	350	400	450																													
tanδ	0.22	0.19	0.16	0.14	0.12	0.10	0.09	0.08	0.12	0.12	0.15	0.15	0.20	0.23																														
When nominal capacitance is over 1000 μF tanδ shall be added 0.02 to the listed value with increase of ever 1000 μF																																												
Temperature Stability (120Hz)	<table border="1"> <tr> <th>Rated voltage (V)</th> <th>6.3</th> <th>10</th> <th>16</th> <th>25</th> <th>35</th> <th>50</th> <th>63</th> <th>100</th> <th>160</th> <th>200</th> <th>250</th> <th>350</th> <th>400</th> <th>450</th> </tr> <tr> <th rowspan="2">Impedance ratio</th> <th>Z-25-°C/Z+20° C</th> <td>4</td> <td>3</td> <td colspan="3">2</td> <td colspan="3">3</td> <td colspan="4">6</td> </tr> <tr> <th>Z-40-°C/Z+20° C</th> <td>8</td> <td>6</td> <td>4</td> <td colspan="3">3</td> <td colspan="3">8</td> <td colspan="4">—</td> </tr> </table>	Rated voltage (V)	6.3	10	16	25	35	50	63	100	160	200	250	350	400	450	Impedance ratio	Z-25-°C/Z+20° C	4	3	2			3			6				Z-40-°C/Z+20° C	8	6	4	3			8			—			
	Rated voltage (V)	6.3	10	16	25	35	50	63	100	160	200	250	350	400	450																													
Impedance ratio	Z-25-°C/Z+20° C	4	3	2			3			6																																		
	Z-40-°C/Z+20° C	8	6	4	3			8			—																																	
Load Life (+85°C)	<table border="1"> <tr> <th>Time</th> <td>20000 Hours</td> </tr> <tr> <th>Leakage Current</th> <td>Not more than the specified value</td> </tr> <tr> <th>Capacitance change</th> <td>Within ±20% of the initial value</td> </tr> <tr> <th>Dissipation factor</th> <td>Not more than 200% of the specified value</td> </tr> </table>	Time	20000 Hours	Leakage Current	Not more than the specified value	Capacitance change	Within ±20% of the initial value	Dissipation factor	Not more than 200% of the specified value																																			
	Time	20000 Hours																																										
	Leakage Current	Not more than the specified value																																										
	Capacitance change	Within ±20% of the initial value																																										
Dissipation factor	Not more than 200% of the specified value																																											
Shelf Life (+85°)	1000 hours. No voltage applied. After test: (V) to be applied for 30 minutes, 24 to 48 hours before measurement.																																											

■ DIMENSIONS

mm



■ MULTIPLIER FOR RIPPLE CURRENT

Frequency coefficient

Rated Voltage (V)	Freq (Hz) CV(μF,WV)	Multiplier					
		50,60	120	1K	10K	100K	
6.3~16	all cv value	0.80	1	1.1	1.2	1.2	
25~35	≤ 1000	0.80	1	1.5	1.7	1.7	
50~100	1000<	0.80	1	1.2	1.3	1.3	
	≤1000	0.80	1	1.6	1.9	1.9	
160~450	1000<	0.80	1	1.2	1.3	1.3	
	all cv value	0.80	1	1.3	1.5	1.6	

Temperature coefficient

Temperature coefficient	+70	+85
Factor	1.35	1

STANDARD RATINGS

Wv(v) Cap (μ F)	6.3		10		16		25		35		50		63		100	
	Size	Ripple	Size	Ripple	Size	Ripple	Size	Ripple	Size	Ripple	Size	Ripple	Size	Ripple	Size	Ripple
	Φ DxL(mm)	mArms	Φ DxL(mm)	mArms	Φ DxL(mm)	mArms	Φ DxL(mm)	mArms	Φ DxL(mm)	mArms	Φ DxL(mm)	mArms	Φ DxL(mm)	mArms	Φ DxL(mm)	mArms
0.1	-	-	-	-	-	-	-	-	-	-	5x11	5	-	-	5x11	5
0.22	-	-	-	-	-	-	-	-	-	-	5x11	7	-	-	5x11	8
0.33	-	-	-	-	-	-	-	-	-	-	5x11	9	-	-	5x11	10
0.47	-	-	-	-	-	-	-	-	-	-	5x11	10	-	-	5x11	10
1	-	-	-	-	-	-	-	-	-	-	5x11	15	-	-	5x11	15
2.2	-	-	-	-	-	-	-	-	-	-	5x11	20	-	-	5x11	25
3.3	-	-	-	-	-	-	-	-	-	-	5x11	25	-	-	5x11	30
4.7	-	-	-	-	-	-	5x11	25	5x11	30	5x11	30	5x11	35	5x11	35
10	-	-	-	-	5x11	40	5x11	40	5x11	45	5x11	45	5x11	50	6.3x11	60
22	-	-	5x11	50	5x11	55	5x11	60	5x11	60	5x11	70	6.3x11	85	8x11.5	110
33	5x11	60	5x11	65	5x11	70	5x11	70	5x11	80	5x11	100	6.3x11	100	10x12.5	160
47	5x11	70	5x11	75	5x11	80	5x11	90	6.3x11	110	6.3x11	120	8x11.5	150	10x16	210
100	5x11	100	5x11	110	6.3x11	140	6.3x11	150	8x11.5	190	8x11.5	210	10x12.5	260	12.5x20	380
220	6.3x11	170	6.3x11	190	8x11.5	240	8x11.5	260	10x12.5	330	10x16	400	10x20	460	16x25	720
330	6.3x11	210	8x11.5	270	8x11.5	300	10x12.5	380	10x16	450	10x20	540	12.5x20	650	16x25	880
470	8x11.5	300	8x11.5	330	10x12.5	420	10x16	500	10x16	590	12.5x20	740	12.5x25	850	16x31.5	1150
1000	10x12.5	530	10x16	620	10x20	740	12.5x20	1000	12.5x20	1050	16x25	1350	16x31.5	1550	-	-
2200	12.5x20	990	12.5x20	1050	12.5x25	200	16x25	1500	16x31.5	1750	18x35.5	2100	-	-	-	-
3300	12.5x20	1150	2.5x25	1350	16x25b	1650	16x31.5	1900	18x35.5	2250	-	-	-	-	-	-
4700	16x25	1700	16x25	1800	16x31.5	2100	18x35.5	2450	-	-	-	-	-	-	-	-
6800	16x25	1900	16x31.5	2200	18x35.5	2600	-	-	-	-	-	-	-	-	-	-
10000	16x31.5	2250	18x35.5	2750	-	-	-	-	-	-	-	-	-	-	-	-
15000	18x35.5	2900	-	-	-	-	-	-	-	-	-	-	-	-	-	-

Wv(v) Cap (μ F)	160		200		250		350		400		450	
	Size	Ripple	Size	Ripple	Size	Ripple	Size	Ripple	Size	Ripple	Size	Ripple
	Φ DxL(mm)	mArms	Φ DxL(mm)	mArms	Φ DxL(mm)	mArms	Φ DxL(mm)	mArms	Φ DxL(mm)	mArms	Φ DxL(mm)	mArms
0.47	6.3x11	10	6.3x11	10	6.3x11	10	6.3x11	10	-	-	-	-
1	6.3x11	15	6.3x11	15	6.3x11	15	8x11.5	15	8x11.5	15	10x12.5	15
2.2	6.3x11	20	6.3x11	20	8x11.5	25	10x12.5	30	10x12.5	20	10x16	25
3.3	8x11.5	35	8x11.5	35	10x12.5	35	10x12.5	35	10x16	35	10x20	35
4.7	8x11.5	40	10x12.5	50	10x12.5	40	10x16	45	10x20	45	12.5x20	45
10	10x12.5	70	10x16	75	10x20	75	10x20	75	12.5x20	75	12.5x25	75
22	10x20	120	10x20	120	12.5x25	140	12.5x25	140	16x25	140	16x31.5	140
33	12.5x20	180	12.5x25	190	12.5x25	170	16x25	200	16x31.5	190	18x35.5	200
47	12.5x25	230	12.5x25	220	16x25	240	16x31.5	260	18x35.5	260	-	-
100	16x25	400	16x31.5	430	18x35.5	440	-	-	-	-	-	-
220	18x35.5	730	18x40	760	-	-	-	-	-	-	-	-

Ripple Current:85°C, 120Hz