

- Load life of 1000 hours at 85°C
- Bi-polar
- Low dissipation factor and excellent frequency characteristics
- For speaker crossover networks, Hi-Fi audio.

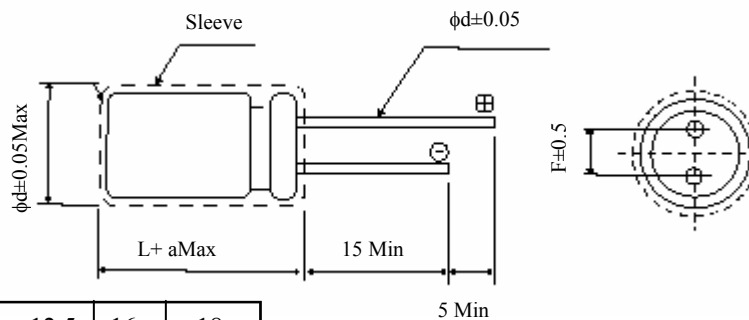


## ■ SPECIFICATIONS

Item	Characteristics									
Operating Temperature Range (°C)	-40~+85									
Rated Voltage Range (V)	50									
Capacitance Tolerance (25°C, 120Hz)	±15%; ± 20%									
Leakage Current (μ A)	0.03CV+4 μ A Max(at25° C, after 5 minutes) C: Nominal Capacitance ( μ F), V: Rated Voltage (V)									
Dissipation Factor (25°C)	<table border="1"> <thead> <tr> <th>Frequency</th> <th>1KHz</th> <th>10KHz</th> </tr> </thead> <tbody> <tr> <td>± 15%</td> <td>0.05</td> <td>0.15</td> </tr> <tr> <td>± 20%</td> <td>0.15</td> <td>0.50</td> </tr> </tbody> </table>	Frequency	1KHz	10KHz	± 15%	0.05	0.15	± 20%	0.15	0.50
	Frequency	1KHz	10KHz							
	± 15%	0.05	0.15							
± 20%	0.15	0.50								
Load Life (+85° C)	<table border="1"> <thead> <tr> <th>Time</th> <th>1000 hours (with the polarity inverted every 250 hours)</th> </tr> </thead> <tbody> <tr> <td>Leakage current</td> <td>Not more than the specified value.</td> </tr> <tr> <td>Capacitance change</td> <td>Within ± 20% of the initial value</td> </tr> <tr> <td>Dissipation factor</td> <td>Not more than 200% of the specified value.</td> </tr> </tbody> </table>	Time	1000 hours (with the polarity inverted every 250 hours)	Leakage current	Not more than the specified value.	Capacitance change	Within ± 20% of the initial value	Dissipation factor	Not more than 200% of the specified value.	
	Time	1000 hours (with the polarity inverted every 250 hours)								
	Leakage current	Not more than the specified value.								
	Capacitance change	Within ± 20% of the initial value								
Dissipation factor	Not more than 200% of the specified value.									
Shelf Life (+85°C)	500 hours. No voltage applied. After test:(V) to be applied for 30 minutes, 24 to 48 hours before measurement.									

## ■ DIMENSIONS

mm



ΦD	6.3	8	10	12.5	16	18
F	0.5	0.6		0.8		
Φd	2.5	3.5	5.0		7.5	
a	L≤16:1.5		L≥20:2			

## ■ STANDARD RATINGS

±15%

Cap (μ F)	WV(V)	50	
		Size (mm)	Ripple
		ΦDxL	mArms
1		10x20	60
1.5		10x20	76
2.2		12.5x20	96
3.3		16x25	144
4.7		16x25	192
6.8		16x31.5	228
10		18x40	264

±20%

Cap (μ F)	WV(V)	50	
		Size (mm)	Ripple
		ΦDxL	mArms
1		6.3x11	27
1.5		6.3x11	30
2.2		8x11.5	34
3.3		8x11.5	60
4.7		8x11.5	76
6.8		10x12.5	94
10		10x16	112
15		10x20	138
22		12.5x20	234
33		12.5x25	288
47		16x31.5	360
68		16x31.5	450
100		16x31.5	540

Ripple current: 85°C, 1KHz