

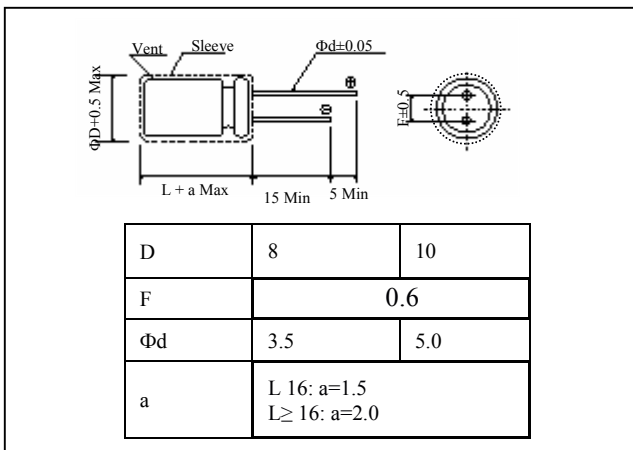
- Load life of 8000 hours at 105°C
- Ultra low ESR for VRM
- Excellent ripple current by a reduction of ESR at high frequency range.



■ SPECIFICATIONS

Item	Characteristics													
Operating Temperature Range (°C)	-55 ~ + 105°C													
Rated Voltage Range (V)	6.3 ~ 100													
Rated Capacitance Tolerance (25°C 100Hz)	±20%													
Leakage Current	0.02CV or 3μA whichever is greater (at 20°C, after 2 minutes) C: Normal Capacitance (μF); V: Rated Voltage (V)													
Dissipation Factor (max) 25°C, 100Hz	<table border="1"> <tr> <td>WV (v)</td> <td>6.3</td> <td>10</td> <td>16</td> </tr> <tr> <td>tanδ</td> <td>0.22</td> <td>0.19</td> <td>0.16</td> </tr> </table>	WV (v)	6.3	10	16	tanδ	0.22	0.19	0.16					
WV (v)	6.3	10	16											
tanδ	0.22	0.19	0.16											
Load Life (+105°C)	<table border="1"> <tr> <td>Rated voltage (V)</td> <td>6.3</td> <td>10</td> <td>16</td> </tr> <tr> <td rowspan="2">Impedance Ratio</td> <td>Z-25°C/Z+20°C</td> <td>2</td> <td>2</td> <td>2</td> </tr> <tr> <td>Z-40°C/Z+20°C</td> <td>3</td> <td>3</td> <td>3</td> </tr> </table>	Rated voltage (V)	6.3	10	16	Impedance Ratio	Z-25°C/Z+20°C	2	2	2	Z-40°C/Z+20°C	3	3	3
Rated voltage (V)	6.3	10	16											
Impedance Ratio	Z-25°C/Z+20°C	2	2	2										
	Z-40°C/Z+20°C	3	3	3										
Shelf life (+105°C)	<p>After applying rated voltage with rated ripple current for 2000 hours at 105°C, the capacitors shall meet the following requirements.</p> <table border="1"> <tr> <td>Capacitance change</td> <td>Within ±25% of the initial value</td> </tr> <tr> <td>Dissipation Factor (tgδ)</td> <td>Not more than 200% of the specified value</td> </tr> <tr> <td>Leakage current (I_L)</td> <td>Not more than specified value</td> </tr> </table>	Capacitance change	Within ±25% of the initial value	Dissipation Factor (tgδ)	Not more than 200% of the specified value	Leakage current (I _L)	Not more than specified value							
Capacitance change	Within ±25% of the initial value													
Dissipation Factor (tgδ)	Not more than 200% of the specified value													
Leakage current (I _L)	Not more than specified value													

■ DIMENSIONS



■ MULTIPLIER FOR RIPPLE CURRENT

Frequency coefficient				
Frequency(Hz)	120Hz	1Khz	10KHz	100KHz~
Coefficient	0.50	0.80	0.90	1.00

Temperature coefficient			
Temperature °C	+65	+85	+105
Rate Voltage (V)			
6.3~16	2.1	1.7	1.0

STANDARD RATINGS

Rated voltage 6.3 V			
Rated Capacitance (μF)	Size ϕ DXL(mm)	Rated ripple current (mArms/105° C, 100KHz)	ESR ($\text{m}\Omega$ max/20° C, 100KHz)
820	8x11.5	1140	36
1200	8x16	1490	28
1800	8x20	1870	19
1500	10x12.5	1540	26
1800	10x16	2000	19
2200	10x20	2550	13
3300	10x25	2800	12

Rated voltage 10V			
Rated Capacitance (μF)	Size ϕ DXL(mm)	Rated ripple current (mArms/105° C, 100KHz)	ESR ($\text{m}\Omega$ max/20° C, 100KHz)
680	8x11.5	1140	36
1000	8x16	1490	28
1500	8x20	1870	19
1000	10x12.5	1540	26
1500	10x16	2000	19
1800	10x20	2550	13
2200	10x25	2800	12

Rated voltage 16V			
Rated Capacitance (μF)	Size ϕ DXL(mm)	Rated ripple current (mArms/105° C, 100KHz)	ESR ($\text{m}\Omega$ max/20° C, 100KHz)
470	8x11.5	1140	36
680	8x16	1490	28
1000	8x20	1870	19
1500	10x12.5	1540	26
1000	10x16	2000	19
1500	10x20	2550	13
1800	10x25	2800	12