

- Load life of 1000 hours at 85°C
- 7mm L standard products
- VTR, video cameras, car radios, micro cassette tape recorder, etc.

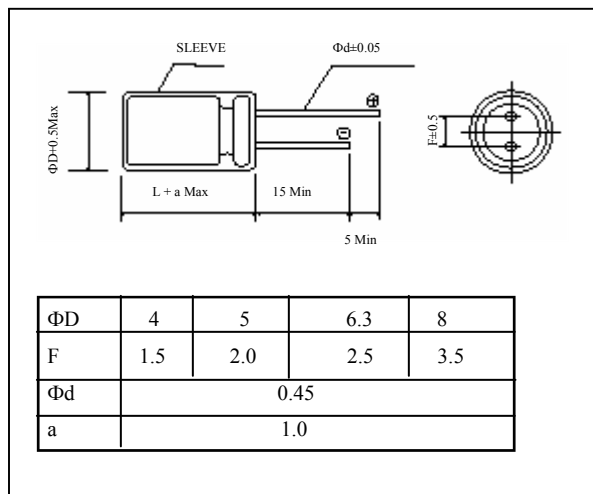


■ SPECIFICATIONS

Item	Characteristics																														
Operating Temperature Range (°C)	-40~+85																														
Capacitance Tolerance (25°C,120Hz)	±20%																														
Leakage Current (µA)	0.01CV or 3, whichever is greater. (at 25°C,after 2 minutes) C: Nominal Capacitance(µF),V:Rated Voltage (V)																														
Dissipation Factor (25°C,120Hz)	<table border="1"> <thead> <tr> <th>Rated Voltage (V)</th> <th>4</th> <th>6.3</th> <th>10</th> <th>16</th> <th>25</th> <th>35</th> <th>50</th> <th>63</th> <th>100</th> </tr> </thead> <tbody> <tr> <td>tanδ</td> <td>0.35</td> <td>0.24</td> <td>0.20</td> <td>0.16</td> <td>0.14</td> <td>0.12</td> <td>0.10</td> <td>0.08</td> <td>0.08</td> </tr> </tbody> </table>	Rated Voltage (V)	4	6.3	10	16	25	35	50	63	100	tanδ	0.35	0.24	0.20	0.16	0.14	0.12	0.10	0.08	0.08										
Rated Voltage (V)	4	6.3	10	16	25	35	50	63	100																						
tanδ	0.35	0.24	0.20	0.16	0.14	0.12	0.10	0.08	0.08																						
Temperature Stability (120Hz)	<table border="1"> <thead> <tr> <th>Rated Voltage (V)</th> <th>4</th> <th>6.3</th> <th>10</th> <th>16</th> <th>25</th> <th>35</th> <th>50</th> <th>63</th> <th>100</th> </tr> </thead> <tbody> <tr> <td>Impedance</td> <td>Z-25°C/Z+20°C</td> <td>6</td> <td>4</td> <td>3</td> <td colspan="5">2</td> </tr> <tr> <td>Ratio</td> <td>Z-40°C/Z+20°C</td> <td>16</td> <td>8</td> <td>5</td> <td>16</td> <td colspan="4">4</td> </tr> </tbody> </table>	Rated Voltage (V)	4	6.3	10	16	25	35	50	63	100	Impedance	Z-25°C/Z+20°C	6	4	3	2					Ratio	Z-40°C/Z+20°C	16	8	5	16	4			
Rated Voltage (V)	4	6.3	10	16	25	35	50	63	100																						
Impedance	Z-25°C/Z+20°C	6	4	3	2																										
Ratio	Z-40°C/Z+20°C	16	8	5	16	4																									
Load Life (+85°C)	<table border="1"> <thead> <tr> <th>Time</th> <th>1000 hours</th> </tr> </thead> <tbody> <tr> <td>Leakage current</td> <td>Not more than the specified value</td> </tr> <tr> <td>Capacitance Change</td> <td>Within ±20% of the initial value</td> </tr> <tr> <td>Dissipation factor</td> <td>Not more than 200% of the specified value</td> </tr> </tbody> </table>	Time	1000 hours	Leakage current	Not more than the specified value	Capacitance Change	Within ±20% of the initial value	Dissipation factor	Not more than 200% of the specified value																						
Time	1000 hours																														
Leakage current	Not more than the specified value																														
Capacitance Change	Within ±20% of the initial value																														
Dissipation factor	Not more than 200% of the specified value																														
Shelf Life (+85°C)	500 hours. No voltage applied. After test (V) to be applied for 30 minutes, 24 to 48 hours before measurement.																														

■ DIMENSIONS

mm



■ MULTIPLIER FOR RIPPLE CURRENT

Frequency coefficient

Rated Voltage (V)	Freq (Hz)			
	50,60	120	1K	10K,100K
4~16	0.80	1	1.1	1.2
25~35	0.80	1	1.5	1.7
50~100	0.80	1	1.6	1.9

Temperature coefficient

Temperature (°C)	+70	+85
Factor	1.35	1

STANDARD RATINGS

Cap (μ F)	Wv (v)	4		6.3		10		16		25		35		50		63		100	
		Size (mm)	Ripple	Size (mm)	Ripple	Size (mm)	Ripple	Size (mm)	Ripple	Size (mm)	Ripple	Size (mm)	Ripple	Size (mm)	Ripple	Size (mm)	Ripple	Size (mm)	Ripple
		Φ DxL	mArms	Φ DxL	mArms	Φ DxL	mArms	Φ DxL	mArms	Φ DxL	mArms	Φ DxL	mArms	Φ DxL	mArms	Φ DxL	mArms	Φ DxL	mArms
0.10	-	-	-	-	-	-	-	-	-	-	-	-	-	4x7	4	4x7	4	-	-
0.22	-	-	-	-	-	-	-	-	-	-	-	-	-	4x7	5	4x7	6	-	-
0.33	-	-	-	-	-	-	-	-	-	-	-	-	-	4x7	7	4x7	7	-	-
0.47	-	-	-	-	-	-	-	-	-	-	-	-	-	4x7	8	4x7	8	-	-
1	-	-	-	-	-	-	-	-	-	-	-	-	-	4x7	10	4x7	10	4x7	12
2.2	-	-	-	-	-	-	-	-	-	-	-	-	-	4x7	15	4x7	15	5x7	20
3.3	-	-	-	-	-	-	-	-	-	4x7	15	4x7	15	4x7	20	4x7	23	6.3x7	30
4.7	-	-	-	-	-	-	-	-	-	4x7	20	4x7	20	4x7	24	5x7	30	6.3x7	35
10	-	-	-	-	-	-	-	4x7	35	4x7	30	4x7	30	5x7	40	6.3x7	50	-	-
22	-	-	4x7	35	4x7	35	4x7	40	5x7	50	5x7	55	6.3x7	70	-	-	-	-	
33	4x7	35	4x7	40	4x7	45	5x7	55	6.3x7	70	6.3x7	75	8x7	100	-	-	-	-	
47	4x7	40	4x7	50	5x7	60	5x7	70	6.3x7	85	8x7	110	-	-	-	-	-	-	
100	5x7	70	5x7	80	6.3x7	108	6.3x7	120	8x7	145	-	-	-	-	-	-	-	-	
220	6.3x7	120	6.3x7	140	8x7	185	8x7	205	-	-	-	-	-	-	-	-	-	-	
330	8x7	170	8x7	205	-	-	-	-	-	-	-	-	-	-	-	-	-	-	

Ripple Current: 85°C, 120Hz