

- Long life assurance series withstanding 7000 hours application of ripple current
- Suited for ballast application

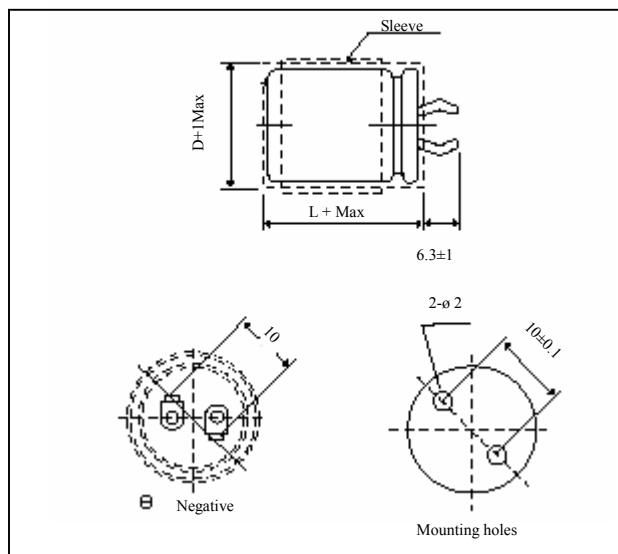


■ SPECIFICATIONS

Item	Characteristics																		
Operating Temperature Range (°C)	-40~+105 °C (160V~250) -25~105°C (315V~450V)																		
Rated Voltage Range (V)	160~450																		
Capacitance Tolerance (25°C, 120Hz)	± 20%																		
Leakage current (μ A)	0.01CV or 1.5mA whichever is smaller (at 20°C, after 5 minutes) C: Nominal Capacitance (μ F), V: Rated Voltage (V)																		
Dissipation Factor (25°C,120Hz)	<table border="1"> <thead> <tr> <th>Rated Voltage (V)</th> <th>160</th> <th>180</th> <th>200</th> <th>250</th> <th>315</th> <th>350</th> <th>400</th> <th>450</th> </tr> </thead> <tbody> <tr> <td>tan δ</td> <td>0.15</td> <td>0.15</td> <td>0.15</td> <td>0.15</td> <td>0.15</td> <td>0.15</td> <td>0.15</td> <td>0.20</td> </tr> </tbody> </table>	Rated Voltage (V)	160	180	200	250	315	350	400	450	tan δ	0.15	0.15	0.15	0.15	0.15	0.15	0.15	0.20
Rated Voltage (V)	160	180	200	250	315	350	400	450											
tan δ	0.15	0.15	0.15	0.15	0.15	0.15	0.15	0.20											
Temperature Stability (120Hz)	<table border="1"> <thead> <tr> <th>Rated Voltage (V)</th> <th>≤250</th> <th>315~450</th> </tr> </thead> <tbody> <tr> <td>Impedance</td> <td>Z-25°C/Z+20°C</td> <td>3</td> </tr> <tr> <td>Ratio</td> <td>Z-40°C/Z+20°C</td> <td>12</td> </tr> </tbody> </table>	Rated Voltage (V)	≤250	315~450	Impedance	Z-25°C/Z+20°C	3	Ratio	Z-40°C/Z+20°C	12									
Rated Voltage (V)	≤250	315~450																	
Impedance	Z-25°C/Z+20°C	3																	
Ratio	Z-40°C/Z+20°C	12																	
Load Life (+105°C)	<table border="1"> <tbody> <tr> <td>Life Time</td> <td>7000 hours</td> </tr> <tr> <td>Leakage current</td> <td>Not more than the specified value</td> </tr> <tr> <td>Capacitance change</td> <td>Within ±20% of the initial value</td> </tr> <tr> <td>Dissipation Factor</td> <td>Not more than 200% of the specified value</td> </tr> </tbody> </table>	Life Time	7000 hours	Leakage current	Not more than the specified value	Capacitance change	Within ±20% of the initial value	Dissipation Factor	Not more than 200% of the specified value										
Life Time	7000 hours																		
Leakage current	Not more than the specified value																		
Capacitance change	Within ±20% of the initial value																		
Dissipation Factor	Not more than 200% of the specified value																		
Shelf Life (+105°C)	1000 hours with no voltage applied, the capacitor shall meet the specified limits for "Load Life". *After test: (V) to be applied for 60 minutes, 24 to 48 hours before measurement.																		

■ DIMENSIONS

mm



■ MULTIPLIER FOR RIPPLE CURRENT

Frequency coefficient

Rated Voltage (V)	Frequency (Hz)					
	50	60	120	300	1K	≥50K
160~250	0.81	0.85	1.00	1.17	1.45	1.50
315~450	0.77	0.82	1.00	1.16	1.41	1.43

Temperature coefficient

Temperature (°C)	+40	+55	+70	+80	+105
Factor	2.7	2.5	2.1	1.7	1.0

■ STANDARD RATINGS

Wv(V) ΦDxL(mm)	160		180		200		250		315		350		400		450	
	Cap	Ripple	Cap	Ripple	Cap	Ripple	Cap	Ripple	Cap	Ripple	Cap	Ripple	Cap	Ripple	Cap	Ripple
	μ F	Arms	μ F	Arms	μ F	Arms	μ F	Arms	μ F	Arms	μ F	Arms	μ F	Arms	μ F	Arms
22x25	270	1.1	220	1.0	220	1.00	-	-	82	0.64	82	0.64	56	0.51	39	0.37
22x30	330	1.2	330	1.20	270	1.10	180	0.90	100	0.69	100	0.69	68	0.56	47	0.40
22x35	470	1.4	470	1.40	390	1.30	270	1.10	150	0.82	120	0.75	82	0.64	56	0.47
22x40	560	1.5	560	1.50	470	1.40	330	1.20	180	0.90	150	0.82	120	0.75	68	0.53
22x45	680	1.7	-	-	560	1.50	390	1.30	220	1.00	180	0.90	-	-	82	0.56
22x50	-	-	680	1.70	-	-	-	-	-	-	220	1.00	150	0.82	100	0.64
25x25	390	1.3	330	1.20	270	1.10	220	1.00	120	0.75	100	0.69	68	0.56	56	0.47
25x30	470	1.4	470	1.40	390	1.30	270	1.10	150	0.82	120	0.75	100	0.69	68	0.53
25x35	680	1.7	560	1.50	470	1.40	330	1.20	180	0.90	180	0.90	120	0.75	82	0.56
25x40	820	2.0	680	1.70	680	1.70	390	1.30	220	1.00	220	1.00	150	0.82	100	0.64
25x45	1000	2.2	820	2.00	-	-	470	1.40	270	1.10	-	-	180	0.90	120	0.72
25x50	1200	2.3	-	-	820	2.00	560	1.50	330	1.20	270	1.10	220	1.00	150	0.79
30x25	560	1.5	470	1.40	390	1.30	270	1.10	150	0.82	150	0.82	120	0.75	82	0.56
30x30	680	1.7	680	1.70	470	1.40	390	1.30	220	1.00	180	0.90	150	0.82	100	0.64
30x35	1000	2.2	820	2.00	680	1.70	470	1.40	270	1.10	270	1.10	180	0.90	-	-
30x40	1200	2.3	1000	2.20	820	2.00	-	-	330	1.20	-	-	220	1.00	150	0.79
30x45	1500	2.5	1200	2.30	1000	2.20	680	1.70	390	1.30	330	1.20	270	1.10	180	0.87
30x50	1800	2.7	1500	2.50	1200	2.30	820	2.00	470	1.40	390	1.30	330	1.20	220	1.00
35x25	-	-	-	-	-	-	-	-	-	-	-	-	180	0.90	-	-
35x30	-	-	820	2.00	820	2.00	470	1.40	270	1.10	270	1.10	220	1.00	150	0.79
35x35	1200	2.3	1200	2.20	1000	2.20	680	1.70	390	1.30	330	1.20	270	1.10	180	0.87
35x40	1500	2.5	1500	2.50	1200	2.30	820	2.00	470	1.40	390	1.30	330	1.20	220	1.00
35x45	1800	2.7	1800	2.70	-	-	1000	2.20	560	1.50	-	-	390	1.30	270	1.19
35x50	2200	2.9	2200	2.90	1500	2.50	1200	2.30	680	1.70	560	1.50	470	1.40	330	1.38

Ripple Current 105°C, 120Hz