

- Load life of 2000 hours at 105°C
- High ripple current

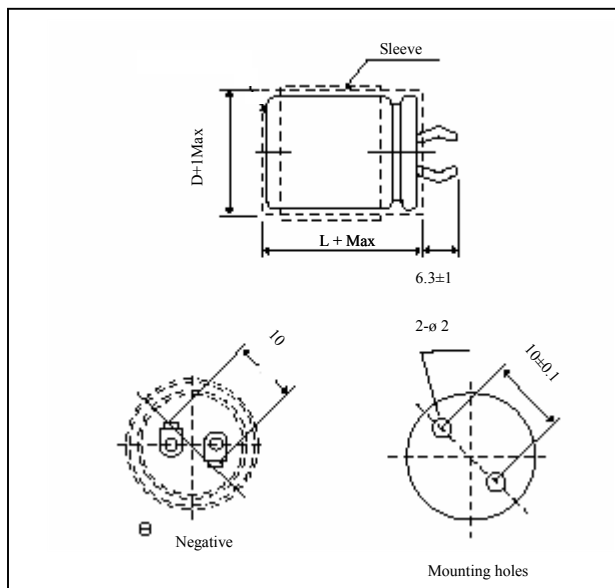


■ SPECIFICATIONS

Item	Characteristics							
Operating Temperature Range (°C)	-40~+105 (≥160V -25~105)							
Rated Voltage (V)	16~450							
Capacitance Tolerance (25°C, 120Hz)	± 20%							
Leakage current (μ A)	0.01CV or 1.5mA whichever is smaller (20°C, after 5 minutes) C: Nominal Capacitance (μ F), V: Rated Voltage (V)							
Dissipation Factor (25°C,120Hz)	Rated Voltage (V)	16	25	35	50	63~100	160~450	400~450
	tan δ	0.50	0.40	0.35	0.30	0.20	0.15	0.20
Temperature Stability (120Hz)	Rated Voltage	10~100	160~200	250~450				
	Impedance	Z-25°C/Z+20°C	4	4	4			
	Ratio	Z-40°C/Z+20°C	15	-	-			
Load Life (+105°C)	Life Time	2000 hours						
	Leakage current	Not more than the specified value						
	Capacitance change	Within ±20% of the initial value						
	Dissipation Factor	Not more than 200% of the specified value						
Shelf Life (+105°C)	1000 hours with no voltage applied, the capacitor shall meet the specified limits for "Load Life". *After test: (V) to be applied for 60 minutes, 24 to 48 hours before measurement.							

■ DIMENSIONS

mm



■ MULTIPLIER FOR RIPPLE CURRENT

Frequency coefficient

Rated Voltage(V)	Frequency (Hz)				
	50	120	1K	10K	20K
≤100	0.95	1.00	1.10	1.15	1.15
160~250	0.87	1.00	1.11	1.18	1.2
≥315	0.80	1.00	1.14	1.14	1.2

Temperature coefficient

Temperature (°C)	+40	+55	+70	+80	+105
Factor	2.7	2.5	2.1	1.7	1.0

■ STANDARD RATINGS

Wv(V) ΦDxL(mm)	16		25		35		50		63		80		100	
	Cap	Ripple	Cap	Ripple	Cap	Ripple	Cap	Ripple	Cap	Ripple	Cap	Ripple	Cap	Ripple
	μ F	Arms	μ F	Arms	μ F	Arms	μ F	Arms	μ F	Arms	μ F	Arms	μ F	Arms
22x25	6800	1.6	4700	1.55	3300	1.43	1800	1.31	1200	1.25	820	1.11	560	1.07
22x30	10000	1.99	6800	1.91	3900	1.65	2700	1.70	1800	1.52	1200	1.39	820	1.35
22x35	12000	2.28	8200	2.14	5600	2.02	3300	1.98	2200	1.73	1500	1.61	1000	1.54
22x40	15000	2.64	10000	2.40	6800	2.28	3900	2.25	2700	1.97	1800	1.83	1200	1.74
22x45	18000	2.98	12000	2.69	-	-	4700	2.56	-	-	2200	2.09	1500	1.99
22x50	-	-	-	-	8200	2.67	5600	2.89	3300	2.32	-	-	-	-
25x25	10000	1.99	6800	1.91	4700	1.78	2700	1.7	1800	1.52	1200	1.39	820	1.35
25x30	12000	2.3	8200	2.16	5600	2.04	3300	2.00	2200	1.75	1500	1.62	1000	1.56
25x35	15000	2.68	10000	2.44	6800	2.31	3900	2.28	2700	1.99	2200	2.01	1200	1.76
25x40	18000	3.04	12000	2.74	8200	2.60	5600	2.81	3300	2.27	-	-	1500	2.03
25x45	22000	3.4	15000	3.15	10000	2.92	-	-	3900	2.54	2700	2.43	1800	2.28
25x50	27000	3.81	18000	3.54	12000	3.26	6800	3.37	4700	2.88	3300	2.76	2200	2.57
30x25	12000	2.38	8200	2.25	5600	2.12	3900	2.22	2700	1.93	1800	1.81	1200	1.71
30x30	18000	3.00	12000	2.70	8200	2.56	4700	2.58	3300	2.24	2200	2.10	1500	2.00
30x35	22000	3.39	15000	3.13	10000	2.92	5600	2.95	3900	2.55	2700	2.43	1800	2.27
30x40	27000	3.83	18000	3.54	12000	3.28	6800	3.39	4700	2.9	3300	2.78	2200	2.59
30x45	33000	4.3	22000	4.24	15000	3.74	8200	3.71	5600	3.28	3900	3.12	2700	2.94
30x50	39000	4.74	-	-	-	-	10000	4.09	6800	3.73	4700	3.56	3300	3.32
35x25	18000	3.10	12000	2.80	8200	2.78	4700	2.67	3300	2.41	2200	2.17	1500	2.07
35x30	27000	3.74	15000	3.22	12000	3.20	6800	3.31	4700	2.83	3300	2.71	2200	2.52
35x35	33000	4.24	22000	3.96	15000	3.69	8200	3.66	5600	3.24	3900	3.07	2700	2.90
35x40	39000	4.72	-	-	18000	4.16	10000	4.07	6800	3.71	4700	3.50	3300	3.31
35x45	47000	5.27	27000	4.75	-	-	12000	4.50	8200	4.16	5600	3.87	3900	3.69
35x50	-	-	33000	5.39	22000	4.92	-	-	10000	4.69	6800	4.19	4700	4.14

Ripple Current: 105°C, 120Hz

■ STANDARD RATINGS

Wv(V) Φ DxL(mm)	160		180		200		250		350		400		450	
	Cap	Ripple	Cap	Ripple	Cap	Ripple	Cap	Ripple	Cap	Ripple	Cap	Ripple	Cap	Ripple
	μ F	Arms	μ F	Arms	μ F	Arms	μ F	Arms	μ F	Arms	μ F	Arms	μ F	Arms
22x25	330	1.16	270	1.08	220	1.08	180	0.94	68	0.56	68	0.47	56	0.47
22x30	390	1.43	330	0.30	330	1.30	220	1.10	100	0.70	82	0.56	68	0.56
22 x35	470	1.52	470	1.50	390	1.41	270	1.13	120	0.73	120	0.64	82	0.64
22x40	560	1.62	560	1.62	470	1.50	330	1.20	150	0.79	150	0.70	100	0.70
22x45	680	1.70	-	-	560	1.58	390	1.26	180	0.81	-	-	120	0.73
22x50	820	1.81	680	1.76	680	1.68	470	1.37	220	0.93	180	0.78	150	0.78
25x25	470	1.55	390	1.35	330	1.35	220	1.15	100	0.70	82	0.65	68	0.65
25x30	560	1.73	470	1.62	470	1.47	330	1.30	150	0.82	120	0.70	100	0.70
25x35	680	1.81	560	1.69	560	1.65	390	1.41	180	0.89	150	0.73	120	0.73
25x40	820	1.98	680	1.72	680	1.80	470	1.52	220	0.97	180	0.82	150	0.82
25x45	1000	2.04	820	1.78	-	-	560	1.59	-	-	220	0.87	180	0.87
25x50	1200	2.12	1000	1.91	820	1.87	680	1.66	270	1.01	270	0.94	220	0.94
30x25	680	1.82	560	1.67	470	1.56	330	1.30	150	0.82	120	0.78	100	0.78
30x30	820	1.98	680	1.74	680	1.82	470	1.36	180	0.90	180	0.83	150	0.83
30x35	1000	2.14	820	1.85	820	1.99	560	1.57	270	1.05	220	0.86	180	0.86
30x40	1200	2.22	1000	2.01	-	-	680	1.76	-	-	270	0.95	220	0.95
30x45	1500	2.46	1200	2.19	1000	2.17	820	1.83	330	1.16	330	1.11	270	1.11
30x50	-	-	1500	2.36	1200	2.22	1000	1.87	390	1.26	390	1.15	330	1.15
35x25	820	1.93	680	1.92	680	1.96	470	1.40	220	0.98	180	0.86	150	0.86
35x30	1200	2.40	1000	2.16	820	2.07	560	1.56	270	1.01	270	0.91	220	0.91
35x35	1500	2.53	1200	2.34	1000	2.22	820	1.82	330	1.16	330	1.13	270	1.13
35x40	-	-	1500	2.56	1200	2.42	1000	1.99	390	1.26	390	1.26	330	1.26
35x45	1800	2.98	1800	2.67	1500	2.59	1200	2.10	470	1.35	470	1.31	390	1.31

Ripple Current: 105°C, 120Hz