

- For surface mount 85°C, 2000 hours guaranteed.
- Carrier taping supplied.
- Bipolar type

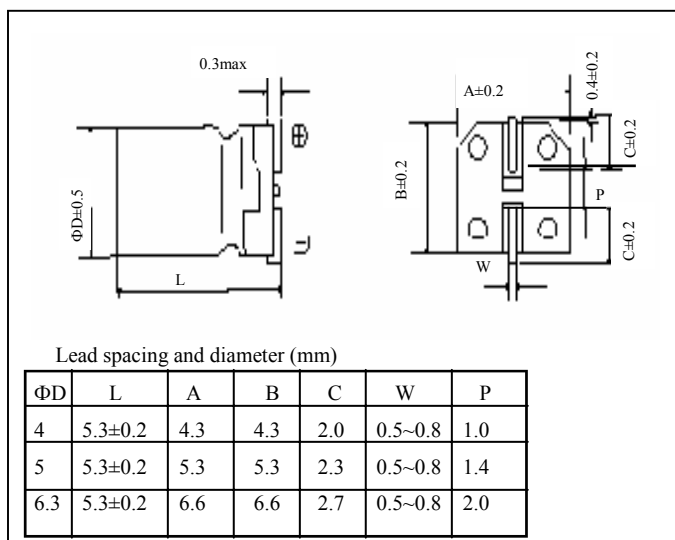


■ SPECIFICATIONS

Item	Characteristics																						
Operating Temperature Range (°C)	-40~+85																						
Leakage Current (μ A)	Less than 0.01CV or 3, whichever is larger (at 25°C, after 2 minutes) C: Nominal Capacitance (μF) V: Rated Voltage (V)																						
Capacitance Tolerance (20°C,120 Hz)	±20%																						
Dissipation Factor (25°C,120 Hz)	<table border="1"> <thead> <tr> <th>Rated voltage (V)</th> <th>6.3</th> <th>10</th> <th>16</th> <th>25</th> <th>35</th> <th>50</th> </tr> </thead> <tbody> <tr> <td>Z-25~°C/Z+20° C</td> <td>3</td> <td>3</td> <td>2</td> <td>2</td> <td>2</td> <td>2</td> </tr> <tr> <td>Z-40~°C/Z+20° C</td> <td>8</td> <td>5</td> <td>4</td> <td>3</td> <td>3</td> <td>3</td> </tr> </tbody> </table>	Rated voltage (V)	6.3	10	16	25	35	50	Z-25~°C/Z+20° C	3	3	2	2	2	2	Z-40~°C/Z+20° C	8	5	4	3	3	3	
	Rated voltage (V)	6.3	10	16	25	35	50																
Z-25~°C/Z+20° C	3	3	2	2	2	2																	
Z-40~°C/Z+20° C	8	5	4	3	3	3																	
Temperature Stability (120Hz)	<table border="1"> <thead> <tr> <th>Rated voltage (V)</th> <th>6.3</th> <th>10</th> <th>16</th> <th>25</th> <th>35</th> <th>50</th> </tr> </thead> <tbody> <tr> <td rowspan="2">Tan δ</td> <td>Φ4</td> <td>0.35</td> <td>0.30</td> <td>0.25</td> <td>0.20</td> <td>0.20</td> <td>0.20</td> </tr> <tr> <td>Φ5~6.3</td> <td>0.30</td> <td>0.25</td> <td>0.20</td> <td>0.15</td> <td>0.15</td> <td>0.15</td> </tr> </tbody> </table>	Rated voltage (V)	6.3	10	16	25	35	50	Tan δ	Φ4	0.35	0.30	0.25	0.20	0.20	0.20	Φ5~6.3	0.30	0.25	0.20	0.15	0.15	0.15
	Rated voltage (V)	6.3	10	16	25	35	50																
Tan δ	Φ4	0.35	0.30	0.25	0.20	0.20	0.20																
	Φ5~6.3	0.30	0.25	0.20	0.15	0.15	0.15																
Load Life (85°C)	<table border="1"> <tbody> <tr> <td>Time</td> <td>2000 hours (with the polarity inverted every 250 hours)</td> </tr> <tr> <td>Leakage current</td> <td>Initial specified value or less</td> </tr> <tr> <td>Capacitance change</td> <td>Within ±20% of the initial value (4v:± 30%)</td> </tr> <tr> <td>Dissipation factor</td> <td>200% or less of the initial specified value (4v:300%)</td> </tr> </tbody> </table>	Time	2000 hours (with the polarity inverted every 250 hours)	Leakage current	Initial specified value or less	Capacitance change	Within ±20% of the initial value (4v:± 30%)	Dissipation factor	200% or less of the initial specified value (4v:300%)														
	Time	2000 hours (with the polarity inverted every 250 hours)																					
	Leakage current	Initial specified value or less																					
	Capacitance change	Within ±20% of the initial value (4v:± 30%)																					
Dissipation factor	200% or less of the initial specified value (4v:300%)																						
Shelf Life (85°C)	Test time 500 hours. Others have same as load life pretreatment performed																						

■ DIMENSIONS

mm



■ MULTIPLIER FOR RIPPLE CURRENT

Frequency coefficient

Freq	50	120	1K	10K~100K
Rated Voltage	50	120	1K	10K~100K
6.3~16	0.80	1	1.15	1.25
25~35	0.80	1	1.25	1.40
50	0.80	1	1.35	1.50

Temperature coefficient

Temperature (°C)	+70 or less	+85
Factor	1.35	1

■ Standard Ripple Current

WV CAP (μF)		6.3		10		16		25		35		50	
		0.1	0R1										
0.22	R22											4x5.4	2.0
0.33	R33											4x5.4	2.8
0.47	R47											4x5.4	4.0
1	1R0											4x5.4	8.4
2.2	2R2									4x5.4	8.4	5x5.4	13
3.3	3R3							5x5.4	12	5x5.4	16	5x5.4	17
4.7	4R7					45.4	12	5x5.4	16	5x5.4	18	6.3x5.4	20
10	10R			4x5.4	17	55.4	23	6.3x5.4	27	6.3x5.4	29	6.3X7.7	36
22	22R	5x5.4	28	6.3x5.4	33	6.3x5.4	37	6.3X7.7	50	6.3X7.7	54		
33	33R	6.3x5.4	37	6.3x5.4	41	6.3x5.4	49	6.3X7.7	61				
47	47R	6.3x5.4	45	6.3X7.7	61	6.3X7.7	75						
100	101	6.3X7.7	82	6.3X7.7	85							Case Size	Allowable Ripple

ESR: 20°C, 100Hz

Ripple Current: 85°C, 120Hz